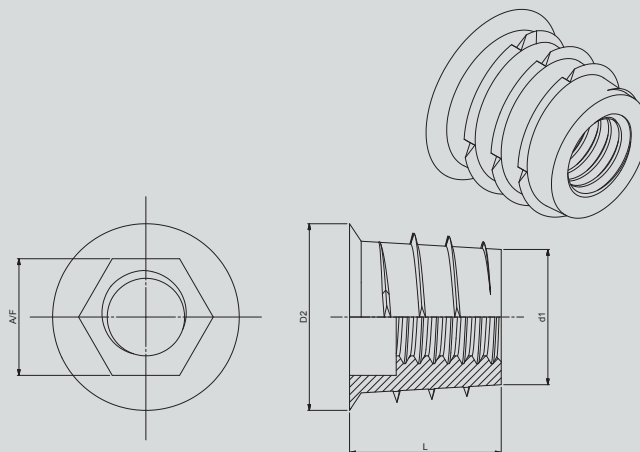


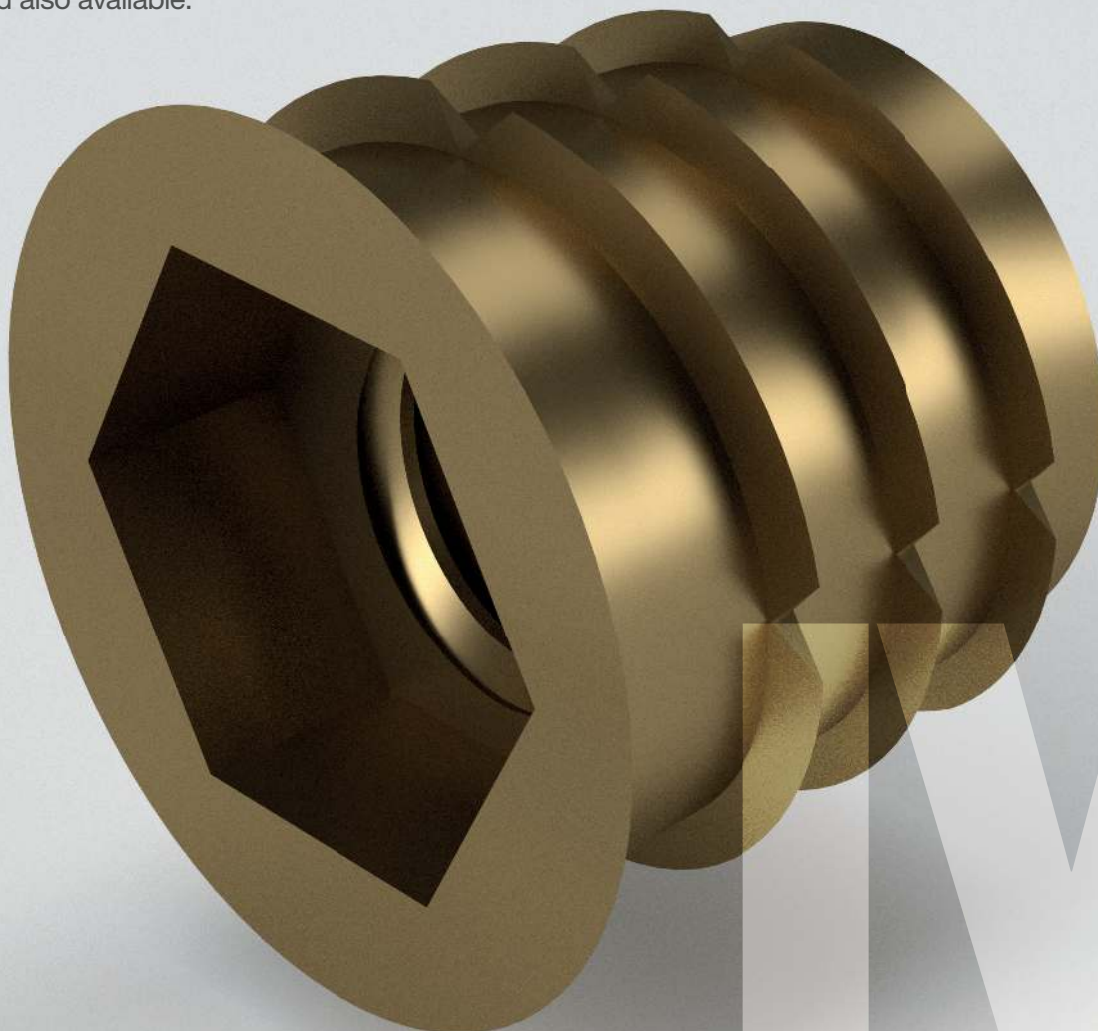
THREAD SIZES	L	Hole	D1	D2	A/F
ISO Metric	mm	mm	mm	mm	mm
M4	10	5.7/6.0	5.5	7.8	4.0
M5	7.0	7.7/8.0	7.1	11.5	5.0
M5	10.0	7.7/8.0	7.1	11.5	5
M5	13.0	7.7/8.0	6.6	11.5	5
M5	20.0	7.7/8.0	7.0	11.5	5.0
M6	10.0	8.7/9.0	8.0	12.5	6.0
M6	13.0	8.7/9.0	7.5	12.5	6.0
M6	16.0	8.7/9.0	7.5	12.5	6.0
M6	20.0	8.7/9.0	7.5	12.5	6.0
M6	25.0	8.7/9.0	8.0	12.5	6.0
M8	13.0	10.7/11.0	9.5	14.5	8.0
M8	20.0	10.7/11.0	9.5	14.5	8.0
M8	25.0	10.7/11.0	9.5	14.5	8.0
M10	13.0	12.2/12.25	11.5	16.0	10.0
M10	25.0	12.2/12.25	11.5	16.0	10.0



Brass - to BS EN 12164 CW614N - RoHS COMPLIANT

The IV range inserts provide a permanent thread for inserting into chipboard, wood and composite materials.

Un-headed also available.



IV