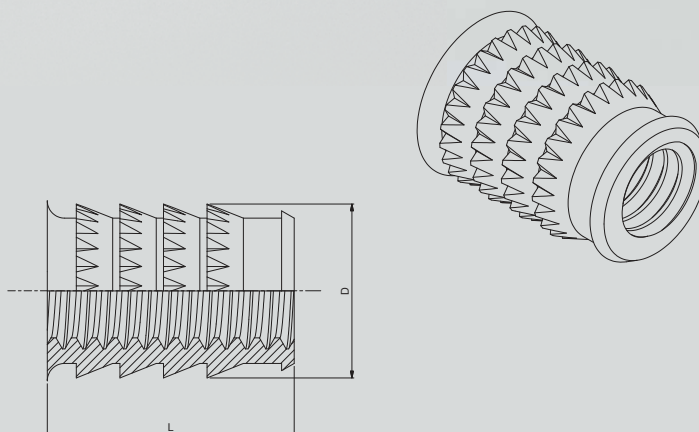


THREAD SIZES	D	L	Hole Diam	Min wall Thickness
ISO Metric	mm	mm	mm	mm
M2	3.5	3.1	3.0-3.3	1.35
M2	3.5	4.2	3.0-3.4	1.35
M2.5	4.3	4.1	3.7-4.0	1.70
M2.5	4.3	5.2	3.7-4.0	1.70
M3	4.3	4.1	3.7-4.0	1.70
M3	4.3	5.2	3.7-4.0	1.70
M3.5	5.3	4.1	4.6-5.0	2.25
M3.5	5.3	7.0	4.6-5.0	2.25
M4	6.3	5.6	5.4-5.9	2.50
M4	6.3	8.5	5.4-5.9	2.50
M5	7.1	6.6	6.0-6.5	2.85
M5	7.1	10.1	6.0-6.5	2.85
M6	8.7	7.7	7.7-8.2	3.20
M6	8.7	12.3	7.7-8.2	3.20
M8	11.0	8.3	10.2-10.6	4.25
M8	11.0	13.8	10.2-10.6	4.25



Brass - to BS EN 12164 CW614N - RoHS COMPLIANT

The IU range is a simple press in insert.

It can be installed using heat or ultrasonics. The barbed design allows this to be used on all types of thermoplastics.

Headed versions also available.