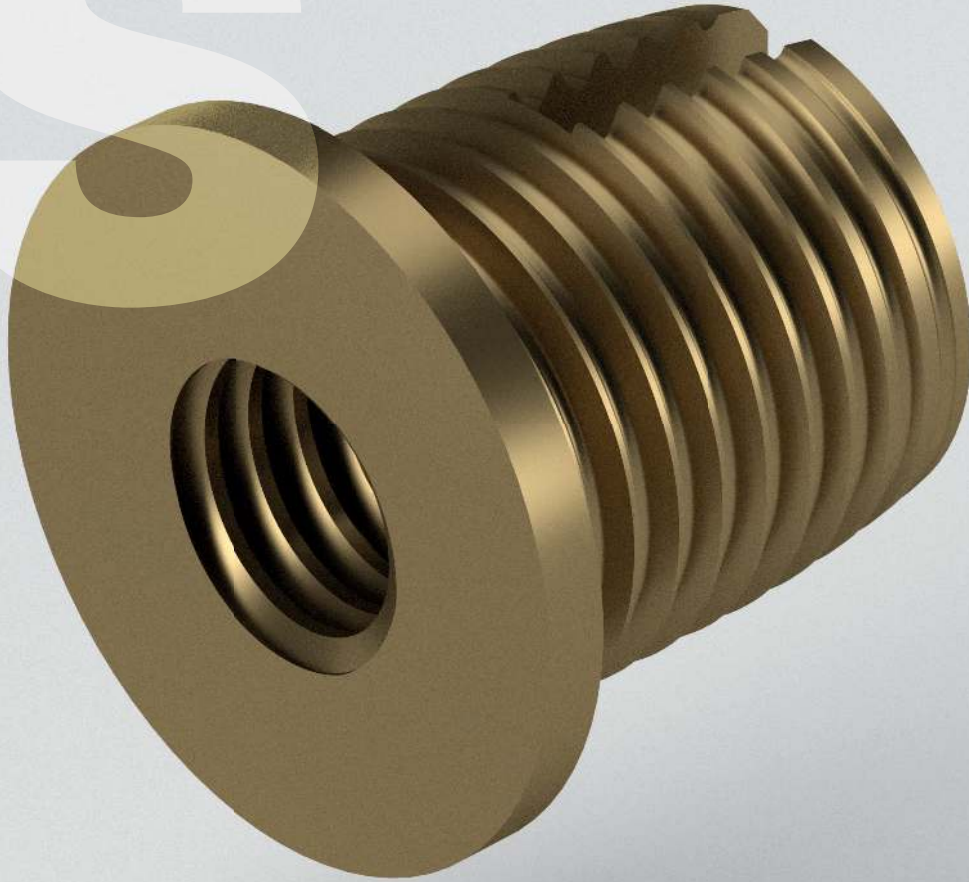


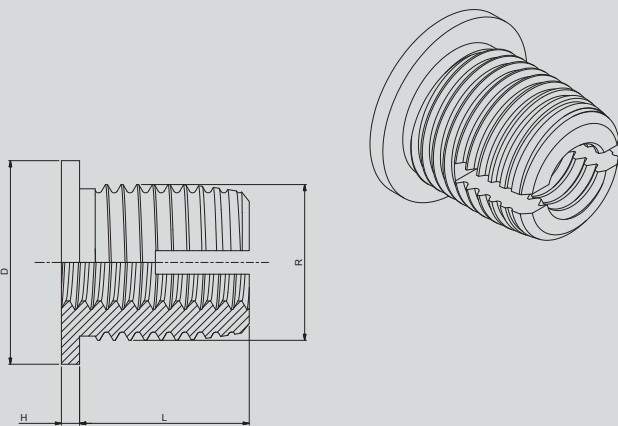
# IS



**The IR & IS range are a self-tapping insert for unavoidable jack out loading.**

They can be used in a wide range of thermoplastic and thermosetting materials.

The slotted end helps to break away swarf during the tapping process making them suitable for materials with a low core strength.



THREAD SIZES	L	H	D	R	Rec.Hole -0.00 +0.10	Min wall Thickness
ISO Metric	mm	mm	mm	mm	mm	mm
M2.5	6.0	0.58	6.0	4.5	4.0-4.1	4.1-4.3
M3	6.0	0.58	6.5	5.0	4.5-4.6	4.6-4.8
M3.5	8.0	0.73	7.5	6.0	5.3-5.4	5.5-5.7
M4	8.0	0.89	8.0	6.5	5.8-5.9	6.0-6.2
M5	10.0	1.06	9.5	8.0	7.1-7.2	7.3-7.6
M6	14.0	1.32	12.0	10.0	8.6-8.8	9.0-9.4
M8	15.0	1.32	14.0	12.0	10.6-10.8	11.0-11.4
M10	18.0	1.57	16.0	14.0	12.6-12.8	13.0-13.4
M12	22.0	1.57	18.0	16.0	14.6-14.8	15.0-15.4

Brass - to BS EN 12164 CW614N - RoHS COMPLIANT