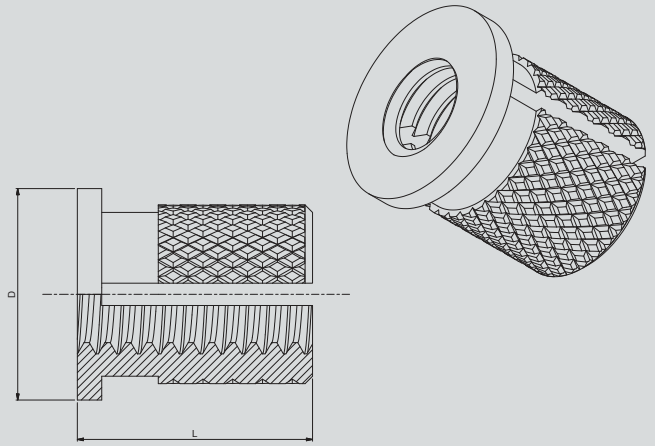


The IO, IP & IQ cold press expansion is suitable for most thermoplastics and thermoset plastics.

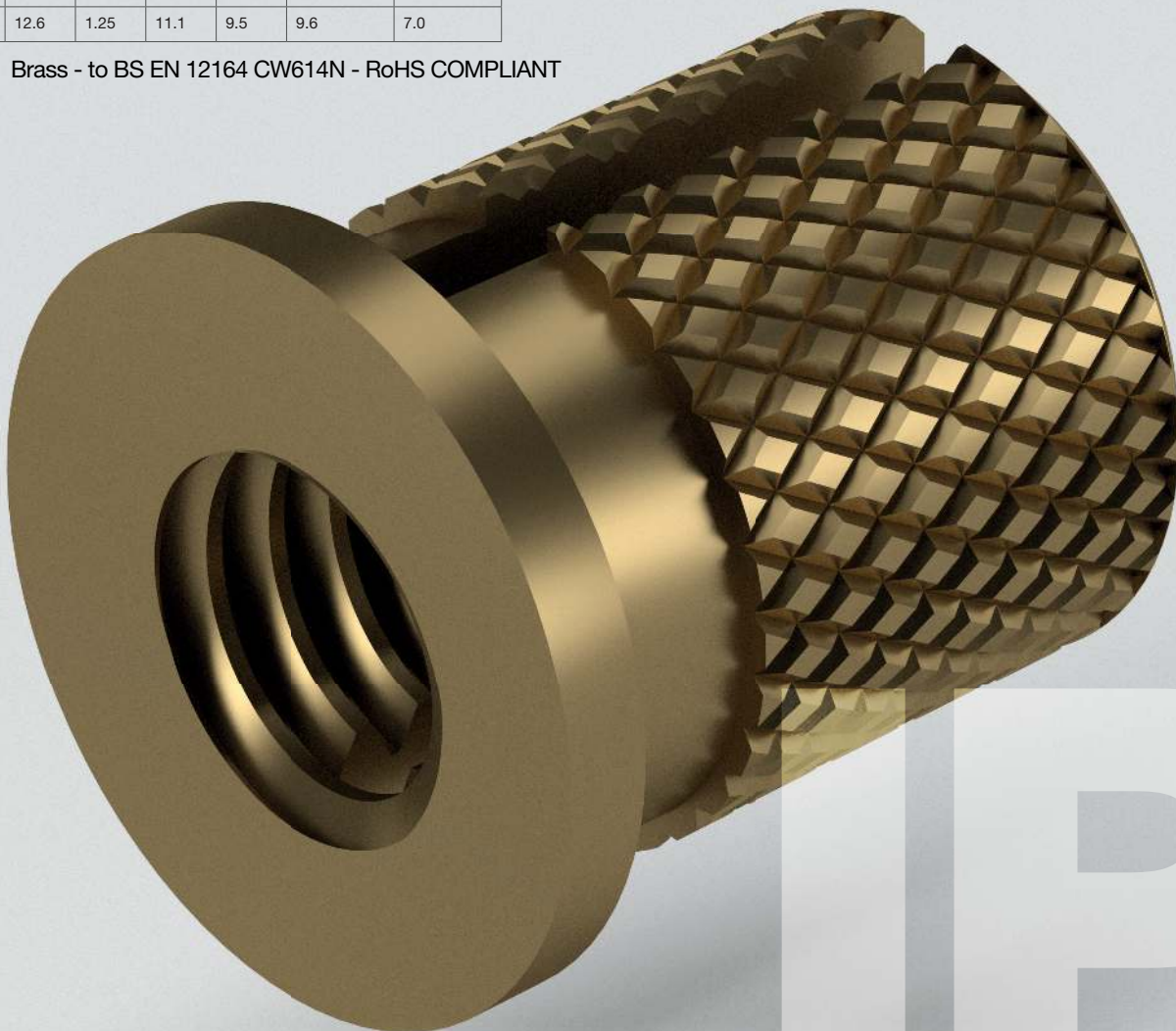
The insert collapses as it pushes into the receiving hole. As it is inserted it will expand and bite into the material giving excellent torque and pull out loads.

The reverse headed style (IQ) provides a high jack-out resistance.



THREAD SIZES	L	H	D	R*	Rec.Hole -0.00 +0.10	Min wall Thickness
ISO Metric	mm	mm	mm	mm	mm	mm
M2	3.9	0.43	4.8	3.2	3.2	2.4
M2.5	4.7	0.51	5.5	4.0	4.0	3.2
M3	4.7	0.51	5.5	4.0	4.0	3.2
M3.5	6.3	0.66	6.4	4.7	4.8	3.6
M4	7.9	0.82	7.1	5.5	5.6	4.0
M5	9.4	0.99	7.9	6.3	6.4	4.8
M6	12.6	1.25	9.5	7.9	8.0	6.0
M8	12.6	1.25	11.1	9.5	9.6	7.0

*Unheaded Brass - to BS EN 12164 CW614N - RoHS COMPLIANT



IP