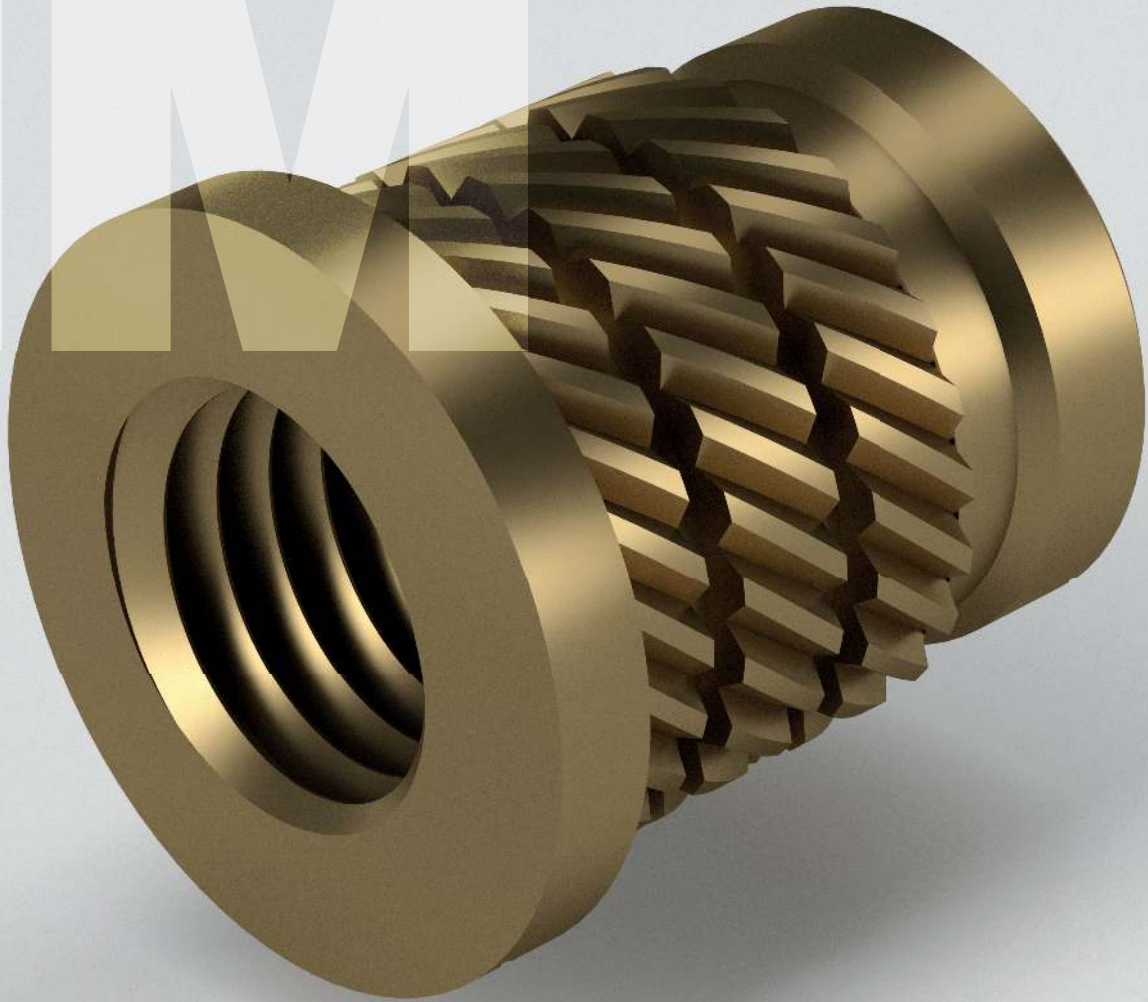
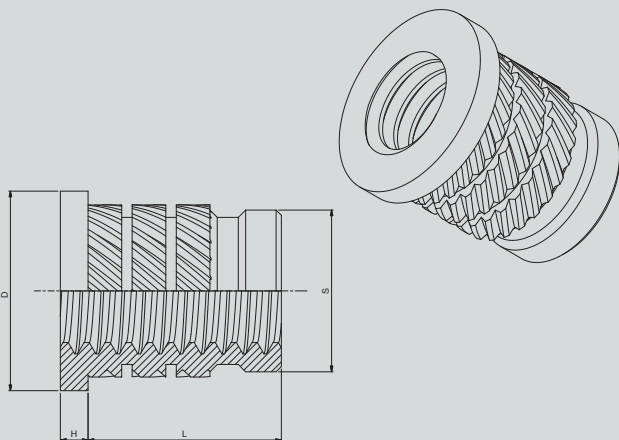


IM



The IL & IM range are designed to cold press (broach) into thermoset and other hard, brittle materials.

The sharp knurl pattern cuts into this material reducing radial stress allowing for thinner boss walls.



| THREAD SIZES | L | H | D | R* | S | Rec.Hole -0.00 +0.10 | Min wall Thickness |
|--------------|-----|------|------|------|------|-------------------------|-----------------------|
| ISO Metric | mm | mm | mm | mm | mm | mm | mm |
| M2 | 4.1 | 0.51 | 4.8 | 3.3 | 3.0 | 3.1 | 1.6 |
| M2.5 | 5.3 | 0.58 | 5.5 | 4.2 | 3.7 | 3.8 | 2.0 |
| M3 | 5.3 | 0.58 | 5.5 | 4.2 | 3.7 | 3.8 | 2.0 |
| M3.5 | 6.3 | 0.74 | 6.4 | 5.0 | 4.5 | 4.6 | 2.5 |
| M4 | 7.4 | 0.89 | 7.1 | 5.8 | 5.3 | 5.4 | 2.5 |
| M5 | 8.3 | 1.07 | 7.9 | 6.6 | 6.1 | 6.2 | 2.5 |
| M6 | 9.2 | 1.32 | 9.5 | 8.2 | 7.7 | 7.8 | 2.8 |
| M8 | 9.2 | 1.32 | 11.1 | 9.7 | 9.3 | 9.3 | 3.8 |
| M10 | 9.2 | 1.57 | 14.0 | 12.7 | 12.2 | 12.3 | 5.0 |

*Unheaded Brass - to BS EN 12164 CW614N - RoHS COMPLIANT