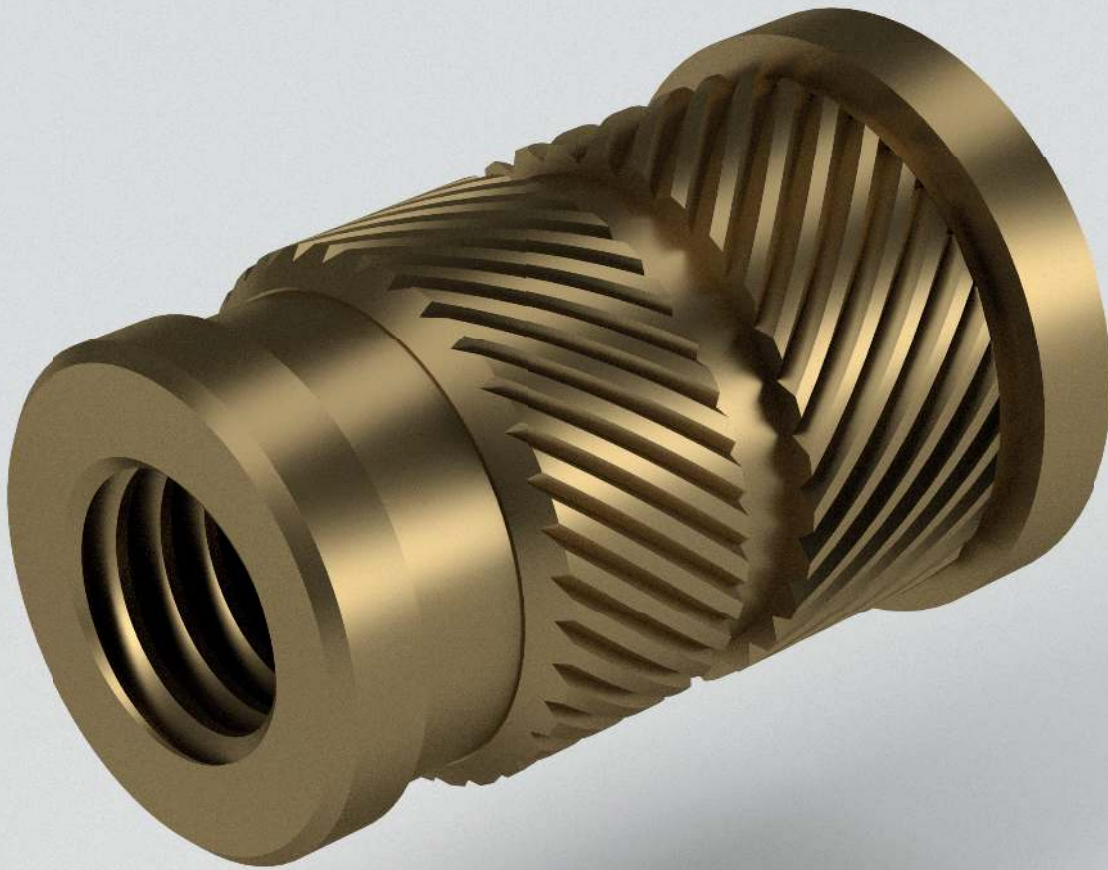


IB

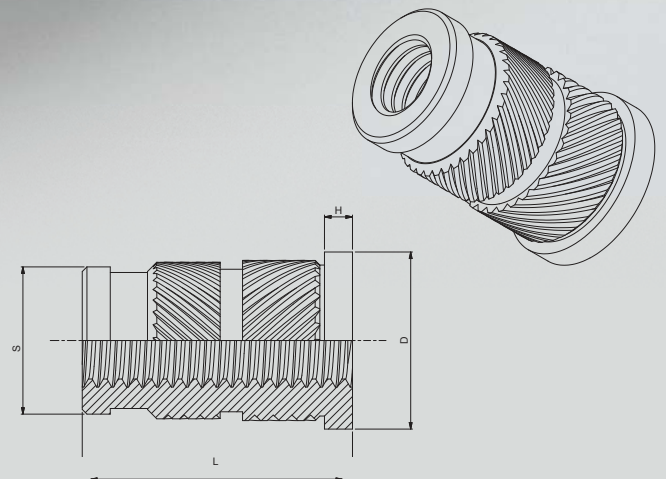
The IA & IB range are designed for rapid insertion into all thermoplastics.

The opposing helix knurl provides exceptional resistance to torque and tensile loads.

These can be installed with heat or ultrasonic.



THREAD SIZES	L	H	D	R *	S	Rec.Hole -0.00 +0.10	Min wall Thickness
ISO Metric	mm	mm	mm	mm	mm	mm	mm
M2	4.0	0.53	4.8	3.6	3.1	3.2	1.3
M2.5	5.74	0.61	5.5	4.6	3.9	4.0	1.6
M3	5.74	0.61	5.5	4.6	3.9	4.0	1.6
M3.5	7.1	0.76	6.4	5.4	4.7	4.8	1.8
M4	8.1	0.91	7.1	6.3	5.5	5.6	2.1
M5	9.52	1.09	7.9	7.1	6.3	6.4	2.6
M6	12.7	1.35	9.5	8.7	7.9	8.0	3.3
M8	12.7	1.35	11.1	10.2	9.5	9.6	4.5
M10	12.7	1.60	14.0	12.6	11.8	11.9	6.0



*UNHEADED Brass - to BS EN 12164 CW614N - RoHS COMPLIANT