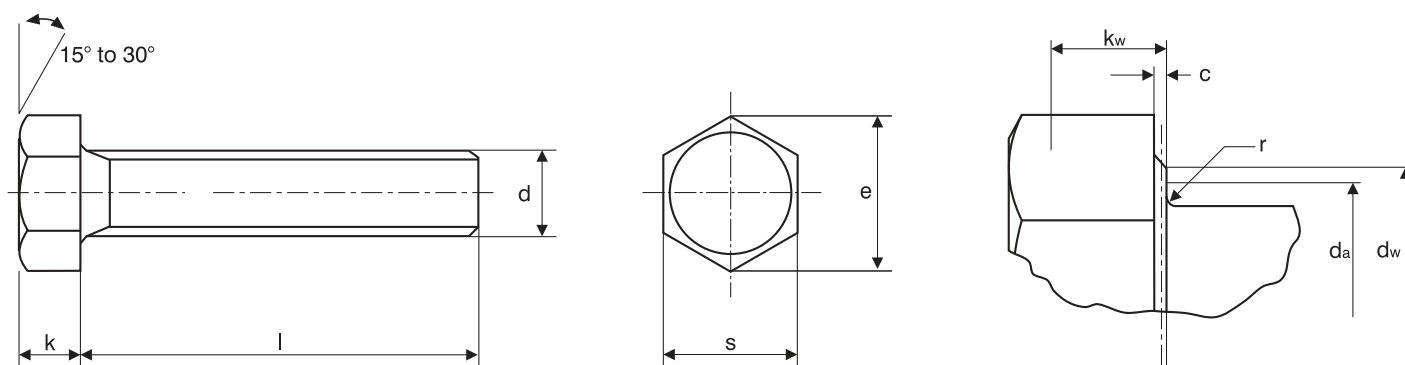


Hexagon Head Setscrews Fine Pitch

EN ISO 8676 (DIN 961)

High Tensile



EN ISO 8676 (DIN961) Dimensions of setscrews

Nominal size and thread diameter d	Pitch of thread P	Depth of washer face c		Transition Diameter d_a	Dia. of washer face d_w	Width across corners e	Thickness of head k	Radius under head r	Width across flats s	
	coarse pitch	min.	max.	max.	min.	min.	nom.	min.	min.	max.
M10	1.00	0.15	0.6	11.20	14.47	17.59	6.40	0.4	15.57	16.00
M12	1.50	0.15	0.6	13.70	15.47	19.95	7.50	0.6	17.57	18.00
M14	1.50	0.15	0.6	15.70	19.15	22.78	8.80	0.6	20.16	21.00
M16	1.50	0.2	0.8	17.70	22.00	26.17	10.00	0.6	23.16	24.00
M18	1.50	0.2	0.8	20.20	24.85	29.56	11.50	0.6	26.16	27.00
M20	1.50	0.2	0.8	22.40	27.70	32.95	12.50	0.8	29.16	30.00
M22	1.50	0.2	0.8	24.40	31.95	37.29	14.00	0.8	33.00	34.00
M24	2.00	0.2	0.8	25.40	33.25	39.55	15.00	0.8	35.00	36.00
M27	2.00	0.2	0.8	30.40	38.00	45.20	17.00	1.0	40.00	41.00
M30	2.00	0.2	0.8	33.40	42.75	50.85	18.70	1.0	45.00	46.00
M33	2.00	0.2	0.8	36.40	46.55	55.37	21.00	1.0	49.00	50.00
M36	3.00	0.2	0.8	39.40	51.11	60.79	22.50	1.0	53.80	55.00
M39	3.00	0.3	1.0	42.40	55.86	66.44	25.00	1.0	58.80	60.00
M42	3.00	0.3	1.0	45.60	59.95	71.30	26.00	1.2	63.10	65.00
M45	3.00	0.3	1.0	48.60	64.70	76.95	28.00	1.2	68.10	70.00
M48	3.00	0.3	1.0	52.60	69.45	82.50	30.00	1.6	73.10	75.00
M52	4.00	0.3	1.0	56.60	74.20	88.25	33.00	1.6	78.10	80.00
M56	4.00	0.3	1.0	63.00	78.66	93.56	35.00	2.0	82.80	85.00
M60	4.00	0.3	1.0	67.00	83.41	99.21	38.00	2.0	87.80	90.00
M64	4.00	0.3	1.0	71.00	88.16	104.86	40.00	2.0	92.80	95.00

Hexagon Head Setscrews Fine Pitch

EN ISO 8676 (DIN 961)

High Tensile

Specification for bolts and reference standards

Mechanical and physical properties

Characteristic		Standard
Material		Steel
General Requirements	International Standards	ISO 8992
	Tolerance	6g
Thread	International Standard	ISO 724, ISO 965-1
	Property Class ^a	d ≤ 39mm: 8.8, 10.9 d > 39mm: as agreed
Mechanical Properties	International Standards	d ≤ 39mm: ISO 898-1 d > 39mm: as agreed
	Tolerances	ISO 4759-1
Finish and/or coating	As processed	
	Requirements for electroplating are covered in ISO 4042	
	Requirements for non-electrolytically applied zinc flake coatings are covered in ISO 10683	
	If different electroplating requirements are desired or if requirements are needed for other finishes, they should be agreed between customer and supplier.	
	Limits for surface discontinuities are covered in ISO 6157-1	
Acceptability	For acceptance procedure, see ISO 3269.	
a For other property classes see ISO 898-1.		

Mechanical or physical property		Property Class			
		8.8		10.9	12.9
		≤ M16	> M16		
Tensile Strength	nom.	800		1000	1200
	min.	800	830	1040	1220
Yield Strength 0.2% offset non-proportional elongation	nom.	640	640	900	1080
	min.	640	660	940	1100
Percentage elongation after fracture for machined test piece	min.	12	12	9	8
Stress Under Proof Load	nom.	580	600	830	970
Rockwell Hardness, HRC	min.	22	23	32	39
	max.	32	34	39	44
All units are displayed as newton per square millimeter (N/mm ²)					