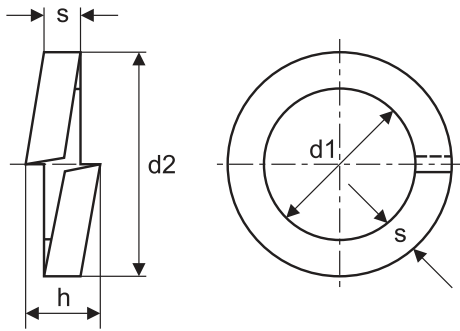


Spring Lock Washers, Single Coil

DIN 7980 Square Section



DIN 7980 Dimensions of spring washers

| Nominal size and thread diameter d | Inside diameter d1 | | Outside diameter d2 | Section thickness s | | Overall Thickness h | | Weight kg |
|------------------------------------|--------------------|------|---------------------|---------------------|-----------|---------------------|-------|-----------|
| | min. | max. | nom. | min. | Tolerance | min. | max. | min. |
| M3 | 3.1 | 3.4 | 5.6 | 1.0 | ±0.10 | 2.00 | 2.36 | 0.105 |
| M4 | 4.1 | 4.4 | 7.0 | 1.2 | | 2.40 | 2.83 | 0.195 |
| M5 | 5.1 | 5.4 | 8.8 | 1.6 | | 3.20 | 3.78 | 0.37 |
| M6 | 6.1 | 6.5 | 9.9 | 1.6 | | 3.20 | 3.78 | 0.425 |
| M8 | 8.1 | 8.5 | 12.7 | 2.0 | | 4.00 | 4.72 | 1.06 |
| M10 | 10.2 | 10.7 | 16.0 | 2.5 | ±0.15 | 5.00 | 5.90 | 1.96 |
| M12 | 12.2 | 12.7 | 16.0 | 2.5 | | 5.00 | 5.90 | 2.28 |
| M14 | 14.2 | 14.7 | 21.1 | 3.0 | ±0.20 | 6.00 | 7.10 | 3.80 |
| M16 | 16.2 | 17.0 | 24.4 | 3.5 | | 7.00 | 8.25 | 5.94 |
| M18 | 18.2 | 19.0 | 26.4 | 3.5 | | 7.00 | 8.25 | 6.60 |
| M20 | 20.2 | 21.2 | 30.6 | 4.5 | | 9.00 | 10.60 | 12.30 |
| M22 | 22.5 | 23.5 | 32.9 | 4.5 | | 9.00 | 10.60 | 13.60 |
| M24 | 24.5 | 25.5 | 35.9 | 5.0 | | 10.00 | 11.80 | 18.10 |
| M27 | 27.5 | 28.5 | 38.9 | 5.0 | | 10.00 | 11.80 | 20.60 |
| M30 | 30.5 | 31.7 | 44.1 | 6.0 | | 12.00 | 14.20 | 32.00 |
| M33 | 33.5 | 34.7 | 47.1 | 6.0 | 12.00 | 14.20 | 35.00 | |
| M36 | 36.5 | 37.7 | 52.2 | 7.0 | ±0.25 | 14.00 | 16.50 | 52.50 |
| M42 | 42.5 | 43.7 | 60.2 | 8.0 | | 16.00 | 18.90 | 80.00 |
| M48 | 49.0 | 50.5 | 67.0 | 8.0 | | 16.00 | 18.90 | 90.00 |