

The BI range is a moulded in insert giving excellent torque and pull out resistance.

Suitable for all types of thermoplastics.

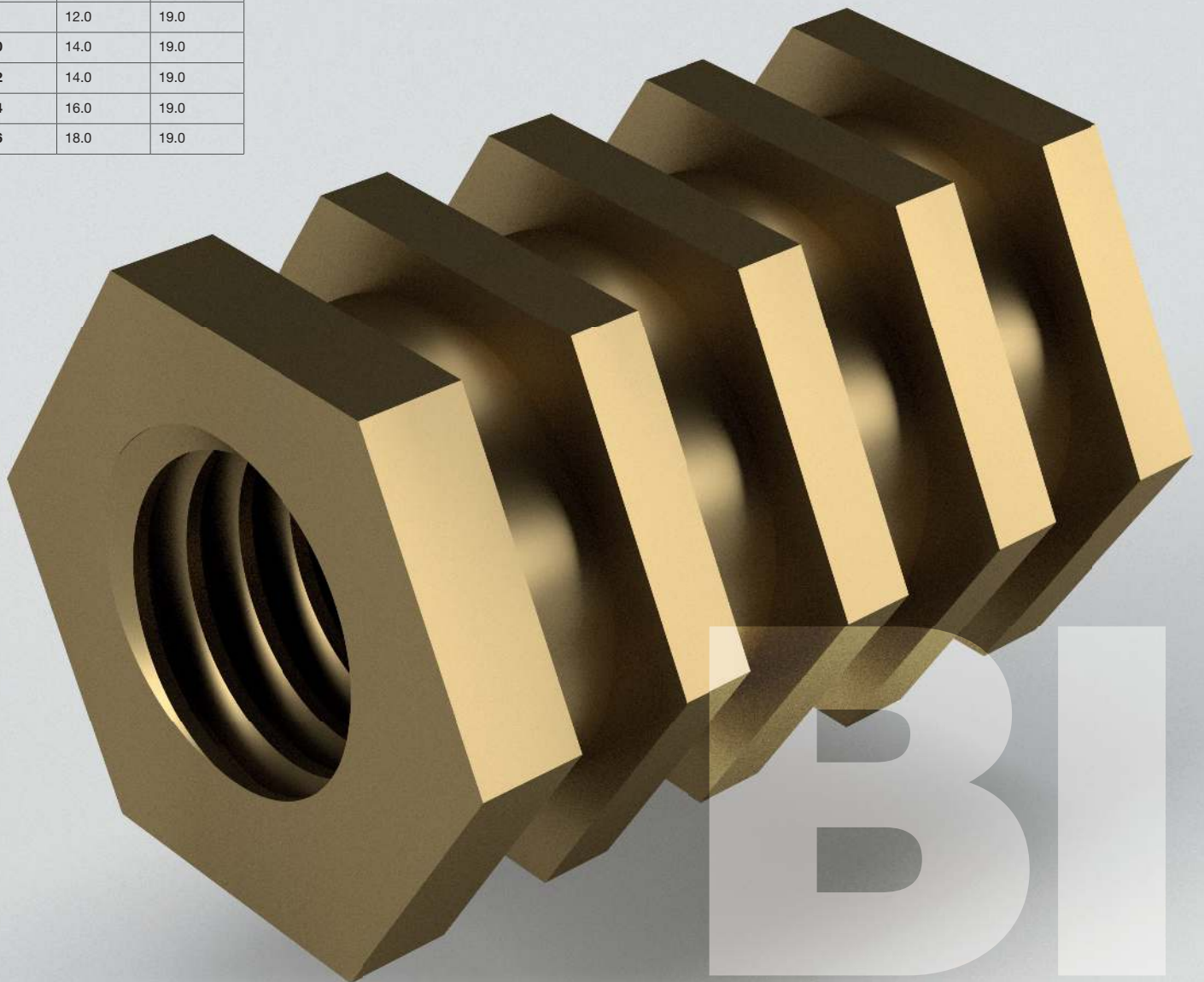
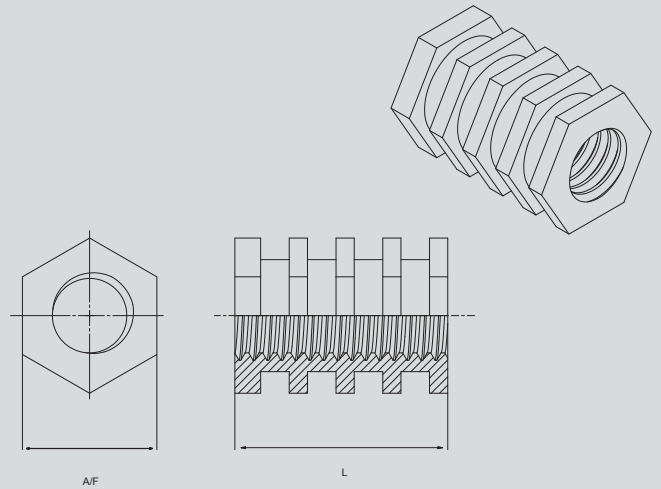
Available in stainless steel and steel zinc plated.

Variations of length across flats and number of undercuts can also be produced.

Brass - to BS EN 12164 CW614N - RoHS COMPLIANT

TAPPED THROUGH

THREAD SIZES	Hex size A/F	Overall length - L
ISO Metric	mm	mm
M3	5.0	8.5
M4	6.0	8.5
M5	8.0	10.0
M5	8.0	19.0
M6	10.0	19.0
M6	10.0	15.0
M8	12.0	19.0
M10	14.0	19.0
M12	14.0	19.0
M14	16.0	19.0
M16	18.0	19.0



BI